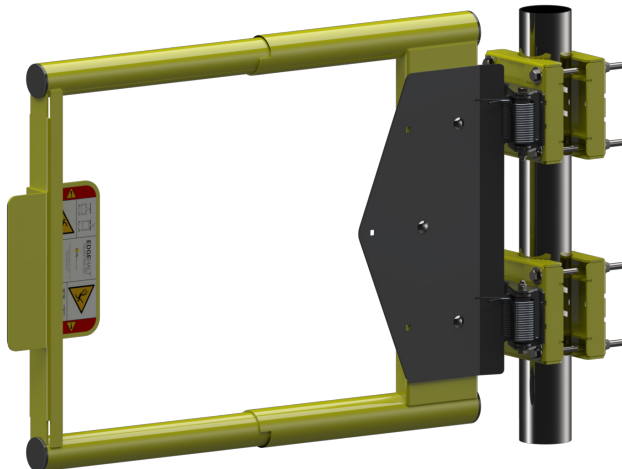


# EDGEHALT® LARGE PIPE ADAPTER BRACKET



## Installation Instructions



**Models:**

- All LSG Models
- All ASG Models

FINISH OPTIONS	
SST	Stainless Steel
PCY	Powder Coat Safety Yellow
GAL	Hot Dipped Galvanized

**Table of Contents:**

Parts List..... 1  
 Product Installation..... 2

## Contact Information

**Mail**  
 PS Safety Access  
 1150 South 48th Street  
 Grand Forks, ND 58201

**Local Phone**  
 701.746.4519

**Toll Free Phone**  
 877.446.1519

**Website**  
 pssafetyaccess.com

**Email**  
 4psinfo@psindustries.com

**Hours of Operation**  
 8 A.M. to 5 P.M. CT  
 Monday – Friday

**NOTICE** This product is designed to work with the EdgeHalt® LSG and ASG for various mounting applications. Once adapter brackets are installed refer to the Ladder Safety Gate or Adjustable Safety Gate O&M manual for proper installation of the Safety Gate. Failure to do so may result in product failure.

## Parts List

### I. EdgeHalt® Safety Gate Large Pipe Adapter Bracket Parts

LSG-LP2-2204GAL and LSG-LP2-2204PCY  
 The LSG;Rail Adapt Clamps are the only parts different between the GAL and PCY Kit Gate Sizes: 15-36

ITEM #	PART #	DESCRIPTION	QTY
1	501001	LSG;RAIL ADAPT CLAMP-GAL	4
	501003	LSG;RAIL ADAPT CLAMP-PCY	
2	500422	BOLT;HEX5/16"18X1GR5ZN	4
3	501947	WASHER;FLAT 3/8"ZN	16
4	501087	NUT;FLANGE 5/16"18ZN-CASE HARD	4
5	501120	NUT;NYLOCK 3/8"16 ZN	8
6	500456	BOLT;TAP3/8"16X6GR5ZN	8

### LSG-LP2-2204SST

ITEM #	PART #	DESCRIPTION	QTY
1	511015	LSG;RAIL ADAPT CLAMP WELD-SST	4
2	500423	BOLT;HEX5/16"18X1SS	4
3	501945	WASHER;FLAT 3/8"SS	16
4	501088	NUT;FLANGE 5/16"18SS	4
5	501119	NUT;NYLOCK 3/8"16 316SS	8
6	502152	BOLT;TAP3/8"16X6 316SS	8

\*Quantities for Large Gates (LSG-LP3-2204XXX) will include a total of three (3) Rail Adapt Clamps (drawing shows two) and corresponding quantities of bolts, washers, and nuts. Gate Sizes: 40-48

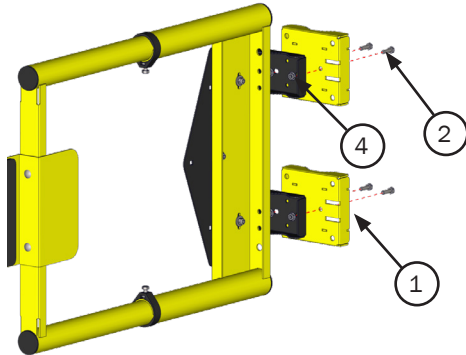


# Large Pipe Installation

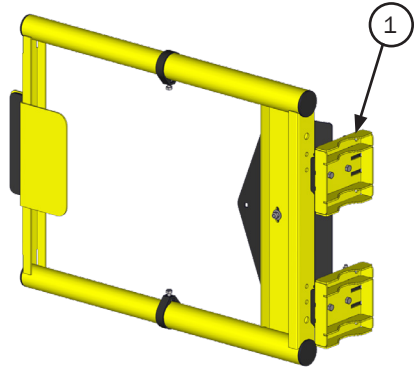
## II. Installation of EdgeHalt® Safety Gate Large Pipe Adapter Bracket

**STEP 1.** Attach Rail Adapter Clamp to the safety gate mounting bracket with provided  $\frac{5}{16}$ " bolts and flange nuts.

**Step 1  
Illustration I**



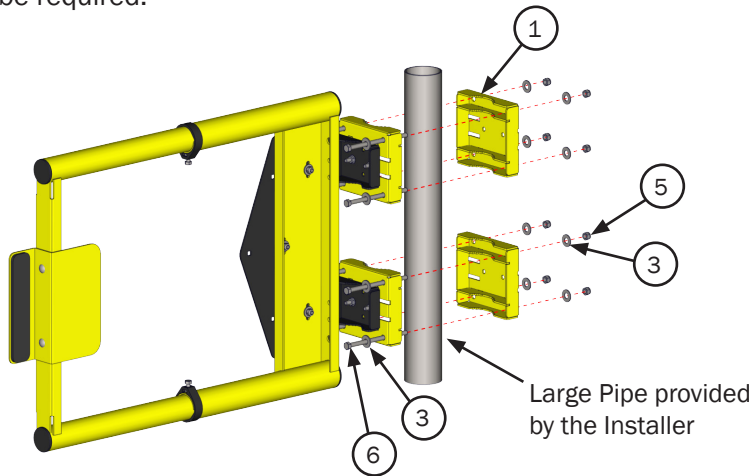
**Step 1  
Illustration II**



**STEP 2.** Loosely mount the Safety Gate to the large pipe (provided by the Installer).  
 a. Attach the Rail Adapter Clamps using supplied  $\frac{3}{8}$ " bolts, (2) washers, and nylock nuts.

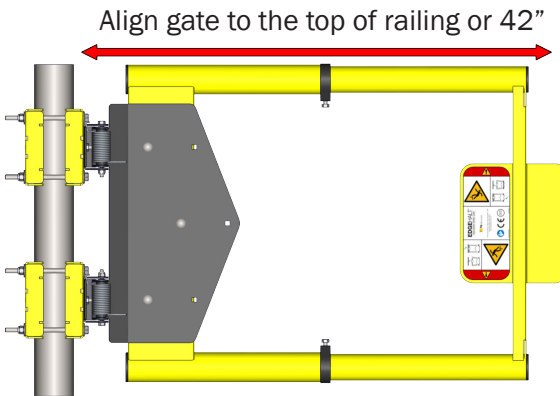
**CRITICAL** Do not tighten, additional adjustment may be required.

**Step 2  
Illustration I**



**STEP 3.** Adjust top of Safety Gate to align with top of railing.  
 a. Tighten the  $\frac{3}{8}$ " mounting bolts in final position.

**Step 3  
Illustration I**



**NOTICE** Rest of Gate not shown.

**CRITICAL** VERIFY INSTALLATION

1. Ensure all bolts/nuts are tight.
2. Operate gate to ensure free movement.

**▲ WARNING** Tighten all fasteners to a minimum torque of 10 ft\*lbs unless otherwise specified.

**STEP 4.** Refer to EdgeHalt® Ladder Safety Gate or Adjustable Safety Gate Operations and Maintenance Manual for remainder of installation.